

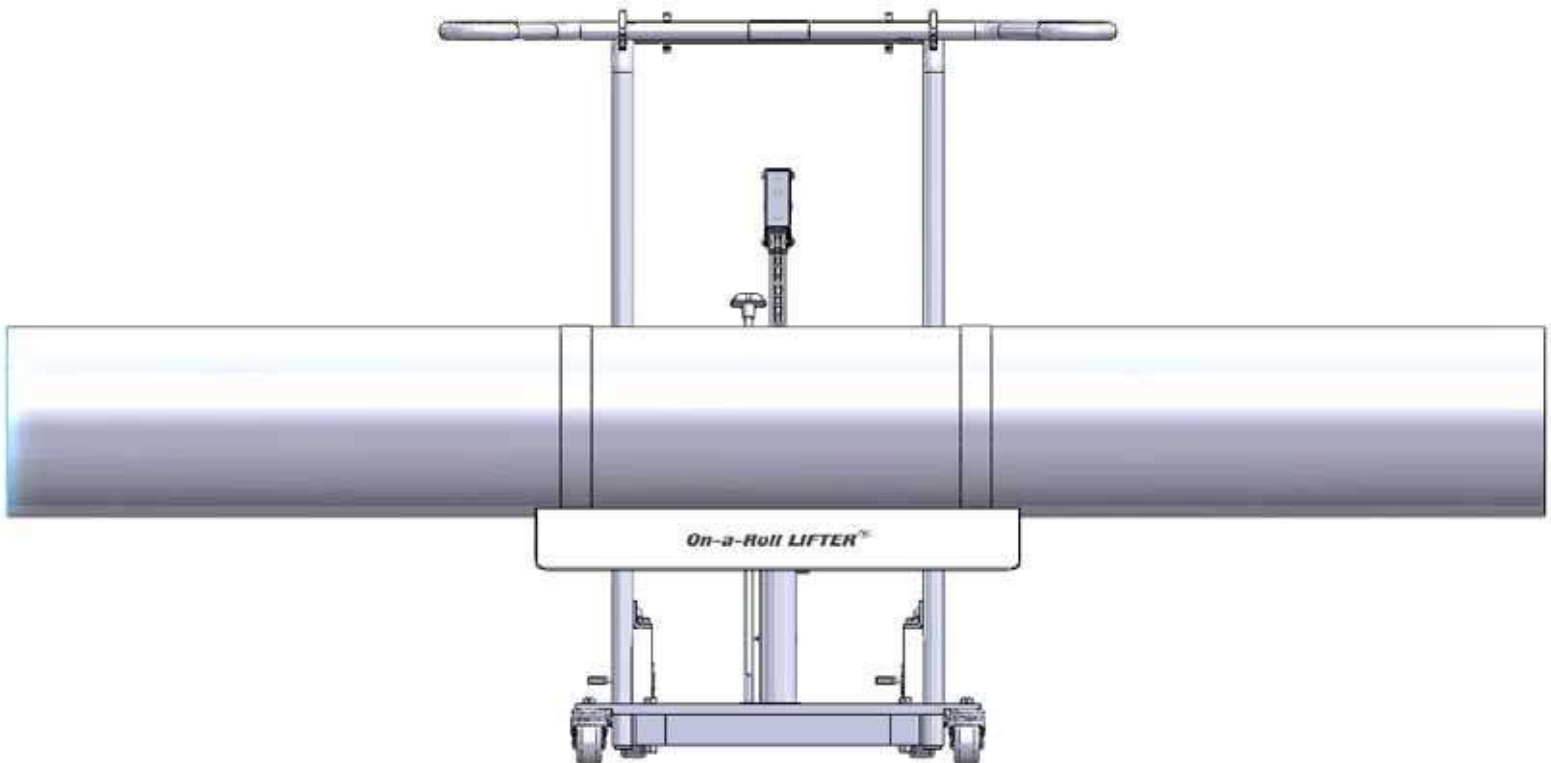
Foster

On-A-Roll Lifter[®]

Service Guide for Standard Models

This guide provides information on some common problems that may occur and steps to resolve them.

It is the user's responsibility to exercise good judgment, common sense, safety measures and reasonable limits regarding the use of the On-A-Roll Lifter[®] so as not to incur risk to the user or damage to the materials being carried. In order to obtain maximum benefit from your machine, please read these instructions carefully before using the On-A-Roll Lifter[®].



Parts Diagram

1 Parts diagram and list of components

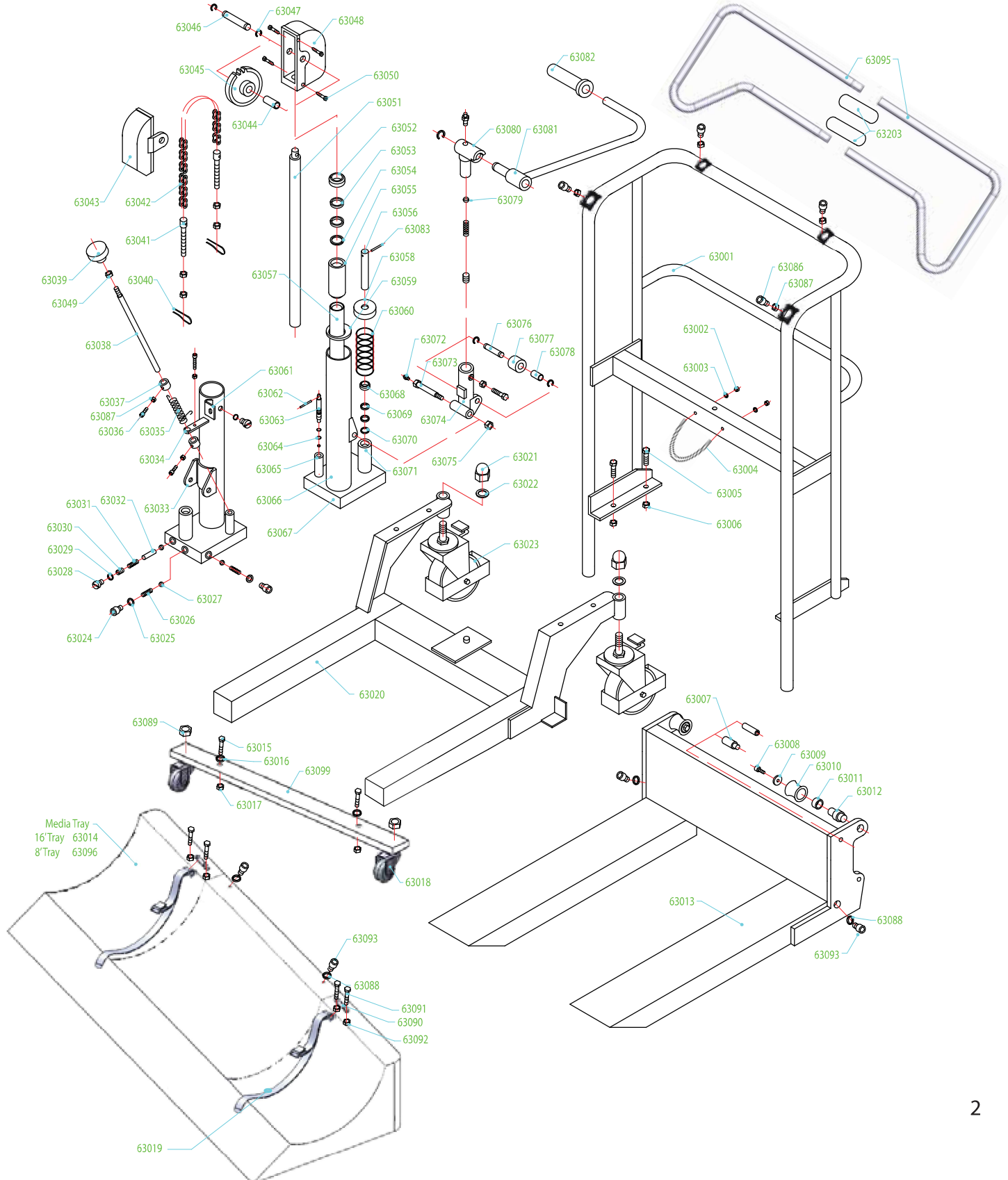
- 1.1 Contact Foster before replacing any components or performing any adjustments that aren't currently mentioned in this instruction manual.

Item #	Description	Item #	Description	Item #	Description
63001	Support frame	63038	Pump lift/lower rod & knob	63076	Pump- foot pump pin
63002	"U" bolt nut	63040	Pump chain cotter pin	63077	Pump- foot pump roller
63003	"U" bolt washer	63041	Pump chain bolt	63078	Pump- foot pump tube
63004	"U" bolt	63042	Hydraulic pump chain	63079	Pump- foot pump washer
63005	17 x 3mm Support hex bolt	63043	Pump front chain guard	63080	Pump- foot pump top bracket
63006	Support/caster frame nut	63044	Pump chain wheel connector	63081	Hydraulic foot pump
63007	Lifter frame guide block	63045	Pump chain wheel	63082	Hydraulic foot pump cover
63008	Axel & bearing wheel bolt	63046	Pump chain wheel tube	63083	Hydraulic pump pin
63009	Axel & bearing washer	63047	Pump chain wheel lock	63086	M6 x 19mm bolt
63010	Axel & bearing wheel	63048	Pump rear chain guard	63087	Allen key bolt nut
63011	Axel & bearing thick washer	63050	Pump chain guard screw	63088	Allen key bolt washer
63012	Axel & bearing connector	63051	Pump chain support rod	63090	Media tray strap clamp
63013	Lifter frame	63052	Pump washer 1	63091	Media tray strap bolt
63014	16' Media tray	63053	Pump washer 2	63092	Media tray strap nut
63016	Caster frame washer	63054	Pump washer 3	63095	Push Bar Assembly
63017	Caster frame nut	63055	Pump top support	63096	8' Media tray
63018	Standard Front caster wheel	63056	Pump top support tube	63100	Hydraulic Pump Assembly
63019	Support strap for media tray	63057	Pump middle support	63105	Seal Kit for HP Assembly
63020	Caster frame	63058	Pump support washer 1	63110	Chain Assembly
63021	Rear caster wheel nut	63059	Pump support washer 2	63108	Pressure Release Assembly
63022	Rear caster wheel washer	63060	Pump spring	63120	16' Media Tray Assembly
63023	Rear caster wheel	63061	Pump top support	63125	8' Media Tray Assembly
63024	Pump screw (right)	63062	Pump pin	63140	Guide Bearing Assembly
63025	Pump seal (right)	63063	Pump connector	63155	Hardware Assembly
63026	Pump coned spring (right)	63064	Pump rubber ring	63186	M6 x 19mm bolt
63027	Pump steel ball (right)	63065	HP Small support block	63194	Split Washer for Standard Caster Wheel
63028	Pump screw (left)	63066	Hydraulic pump	63195	Caster frame Phillips head bolt
63029	Pump seal (left)	63067	Hydraulic pump base	63196	Support frame washers
63030	Pump rubber screw (left)	63068	Pump washer 1	63197	Standard Caster wheel bolt
63031	Pump coned spring (left)	63069	Pump washer 2	63198	Caster wheel plastic washer
63032	Pump pin (left)	63070	Pump washer 3	63199	Caster wheel metal insert
63033	Pump support	63071	HP Large support block	63200	Standard Caster wheel support bracket
63034	Pump lift/lower support	63072	Pump foot pump bolt	63201	Standard Caster wheel Assy
63035	Pump lift/lower spring	63073	Pump foot pump bolt 2	63203	Push Bar Rubber Sleeves
63036	Pump lift/lower tension bolt & nut	63074	Pump- foot pump bracket		
63037	Pump lift/lower tension connector	63075	Pump- foot pump nut		

Parts Diagram

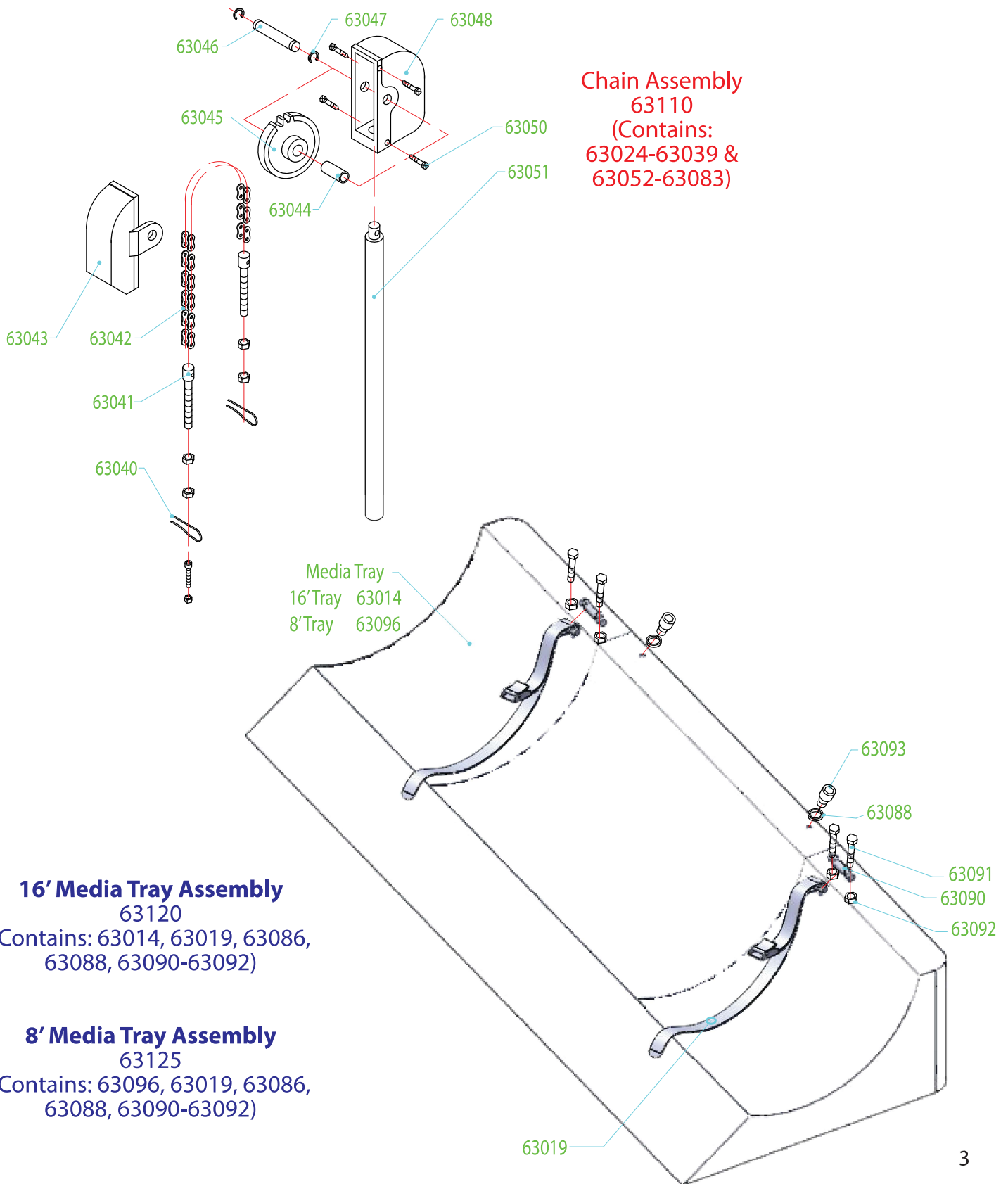
1 Parts diagram and list of components

1.1 Contact Foster before replacing any components or performing any adjustments that aren't currently mentioned in this instruction manual.



Parts Diagram

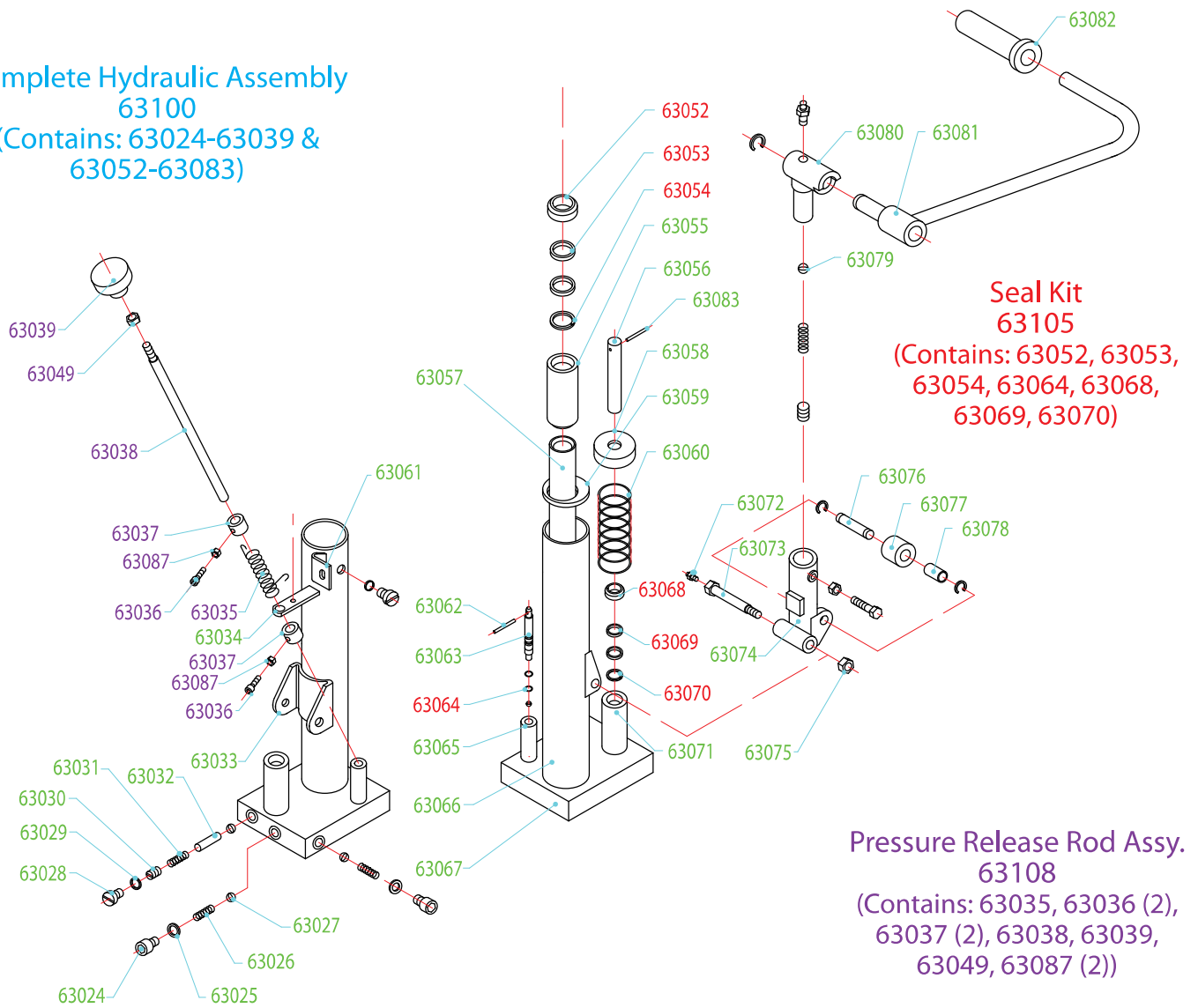
1.2 Parts diagram: Chain & Media Tray Assembly



Parts Diagram

1.3 Parts diagram: Hydraulic & Handle Bar Assembly

Complete Hydraulic Assembly
63100
(Contains: 63024-63039 &
63052-63083)



Push Bar Assembly
63095

